

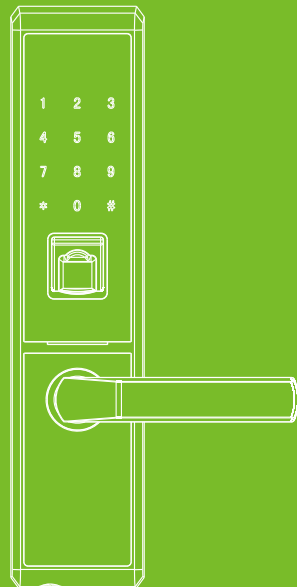
# Installation Instruction

TL100 Fingerprint Lock With Touch Keypad

---

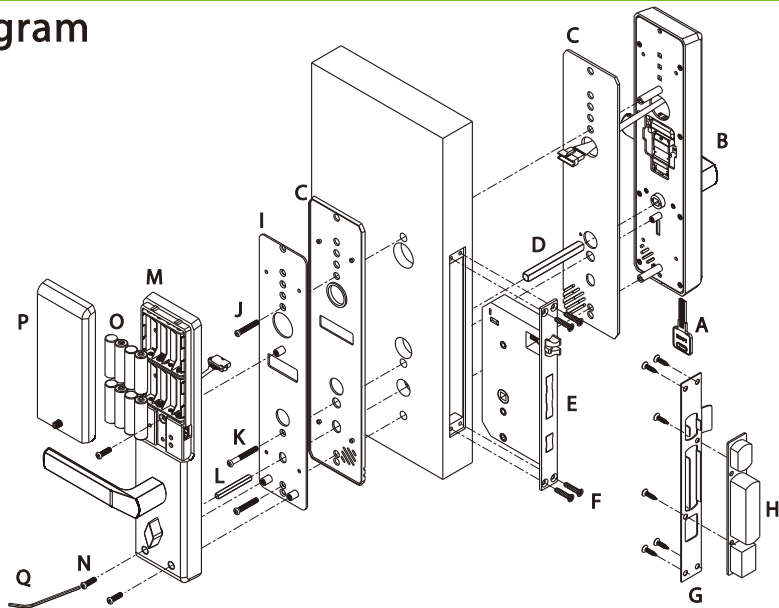
Version: 2.1

Date: July, 2016

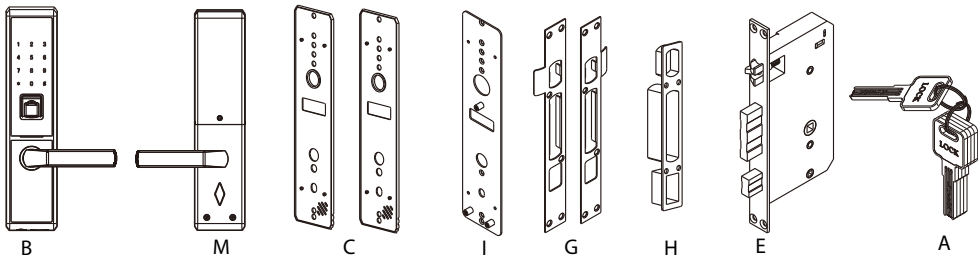


# Before Installation

## Diagram



# Packing List



15mm  
N

Wooden Door



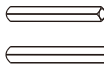
20mm

Security Door



10mm

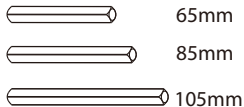
F



60mm

85mm

L

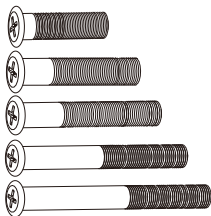


65mm

85mm

105mm

D



45mm

55mm

60mm

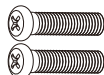
70mm

85mm

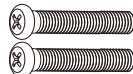
K



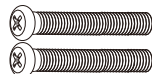
Q



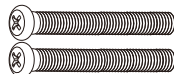
30mm



45mm



55mm



70mm

J

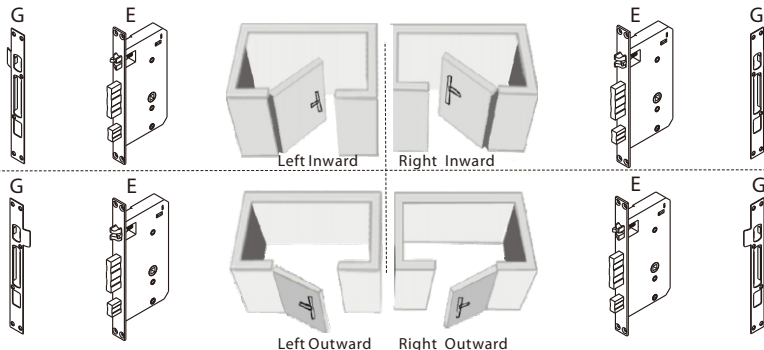
# Door Preparation

## 1. Check door thickness, prepare the proper screws and spindles.

Door Thickness	D Spindle	L Spindle	J Screw	K Screw
45-50 mm	65 mm	60 mm	30 mm	45 mm
50-60 mm	85 mm		45 mm	55 mm
55-65 mm				
65-75 mm	105 mm	85 mm	55 mm	70 mm
75-90 mm			70 mm	85 mm

**Note:** Screws and spindles for doors thickness of 45-90mm are all included in the standard package. Please apply the corresponding package according to the actual door thickness.

## 2. Check door open direction.



- Note :** 1. Please install the mortise and strike plate according to the above pictures.  
2. Mortise(E) can be applied to different door open directions by adjusting the direction of latch bolt. Please refer to Tips for further details.

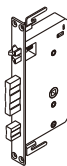
## 3. Check door type.

Lock without hooks is applied to wooden door,  
and lock with hooks is applied to security door.

(Without hooks)



(With hooks)



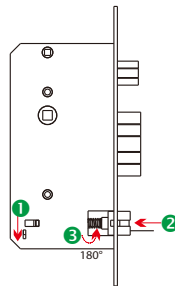
# Tips

## 1. How to change the direction of latch bolt?

**Step1:** Push the switch to the end

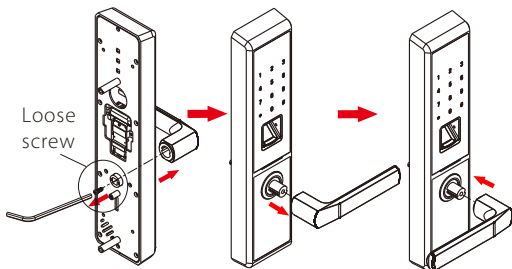
**Step2:** Push the latch bolt into the mortise

**Step3:** Rotate the latch bolt at 180° inside mortise, then loose it.

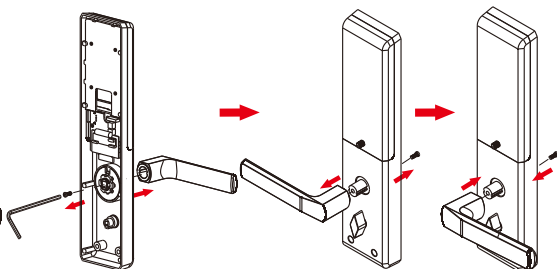


## 2. How to change the handle direction?

### Front Panel



### Back Panel

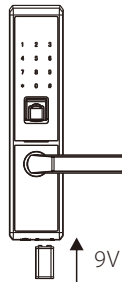


### 3. How to use mechanical key ?



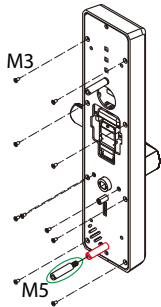
Insert the key into key hole and rotate 90°, then press down the handle to open the door.

### 4. How to use emergency power?



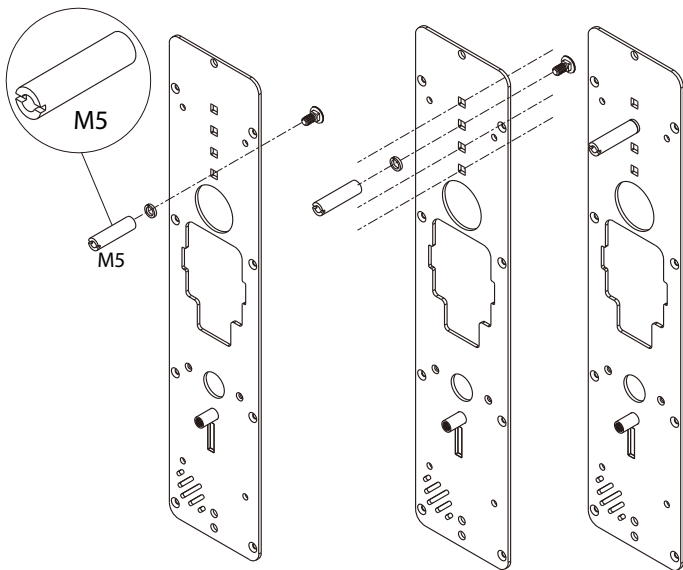
9V Battery

### 5. How to change the location of stud bolts?



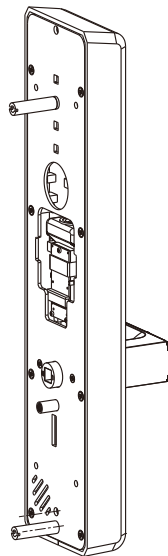
**Note:** After holes are drilled on the door, you can adjust stud bolts location to make the lock suitable.

**Step1:** Twist down the ten M3 screws and M5 stud bolt to take down the mounting plate.



**Step2:** Twist down the other stud bolt.

**Note:** There are four square holes to be used.



**Note:** There are two round holes to be used.

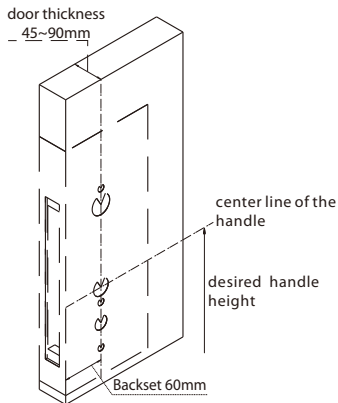


# Cautions

1. New lock is configured to grant ANY fingerprint access to unlock.
2. Please register one administrator at least for the new installed lock, If there is no any administrator, registration for normal users and temporary users are not allowed.
3. The lock is equipped with mechanical keys for manual unlocking. Remove mechanical keys from the package and keep them in a safe place.
4. To power on the lock, eight alkaline AA batteries (not included) are required.  
Non-alkaline and rechargeable batteries ARE NOT RECOMMENDED.
5. Do not remove batteries when the lock is in working state.
6. Please replace the battery soon when the lock prompts the voice of low battery.
7. The operation of setting lock has a stand-by time limit of 10 seconds. Without any activity, lock will shut off automatically.
8. Keep your fingers clean when using this lock.

# Installation

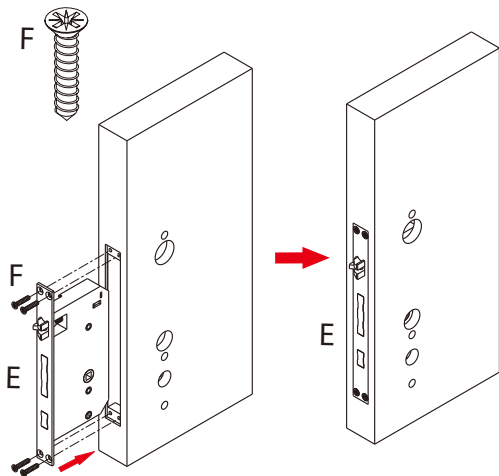
## 1. Drill holes on the door



**Note 1:** Align the template along the vertical center line of the mortise (E) at the desired handle height, and tape it to door.

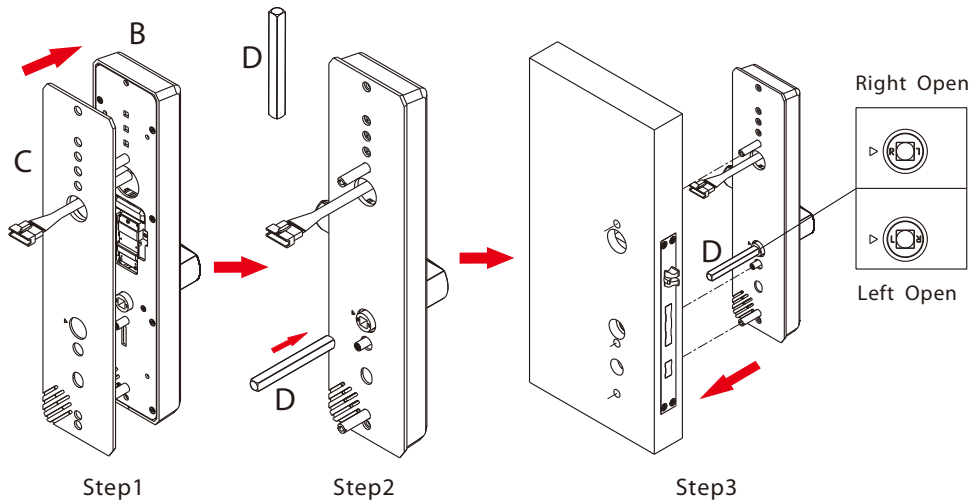
**Note 2:** Mark the holes first, then start drilling.

## 2. Install the mortise(E)

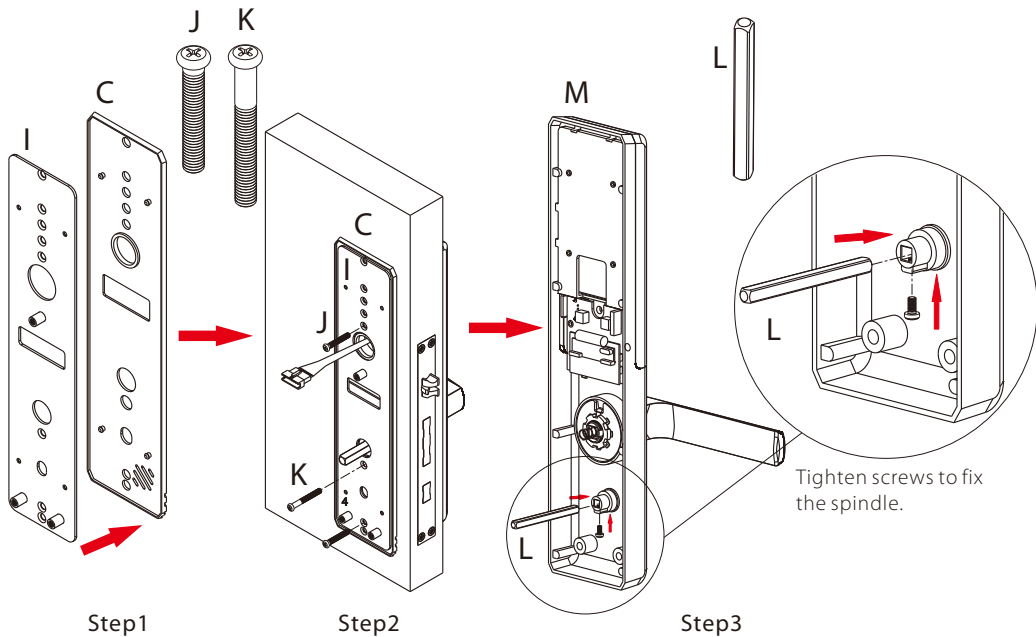


### 3. Install outdoor unit(B) with gasket(C),and spindle(D)

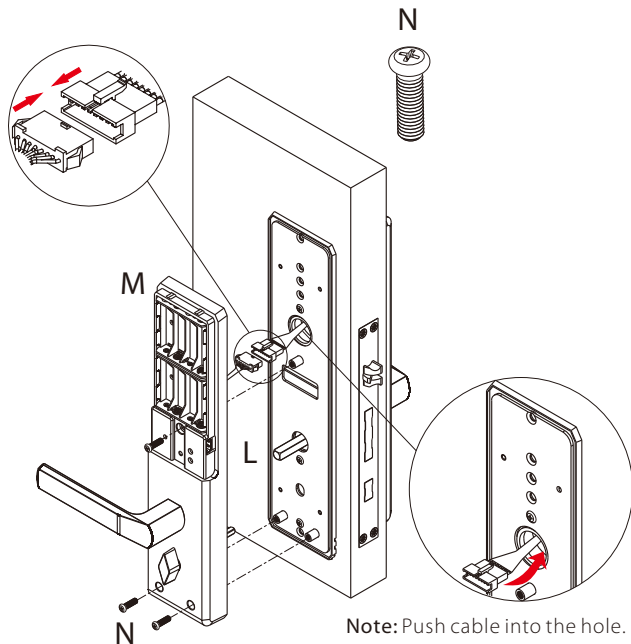
- Note:** 1. The small triangle must be placed toward the letter of R or L.  
2. When the small triangle is towards to R, it is right open.  
3. When the small triangle is towards to L, it is left open.



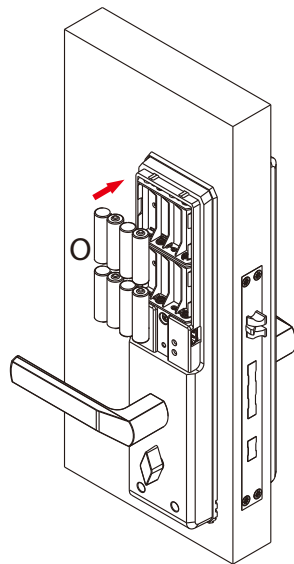
#### 4. Install mounting plate (I) with gasket(C), and spindle(L)

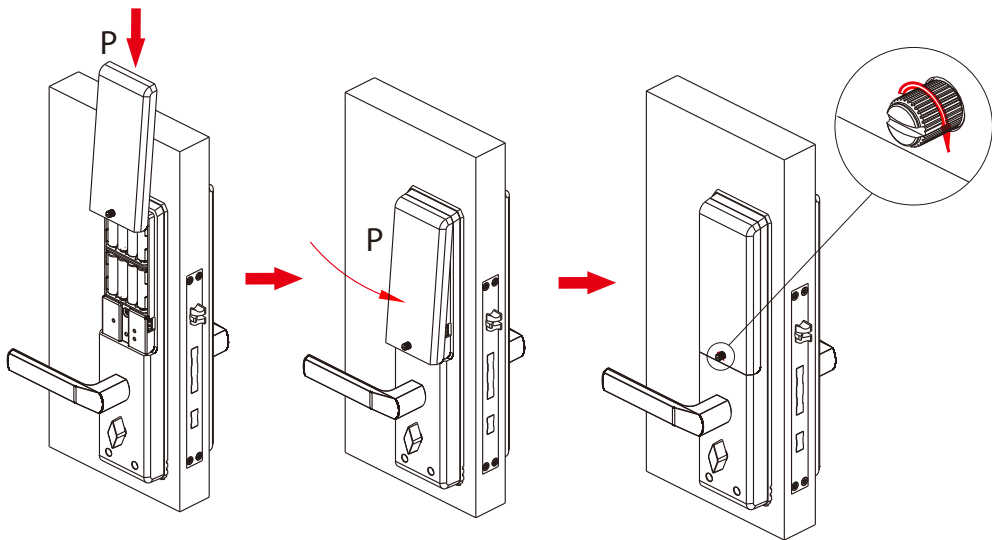


## 5. Install indoor unit (M)

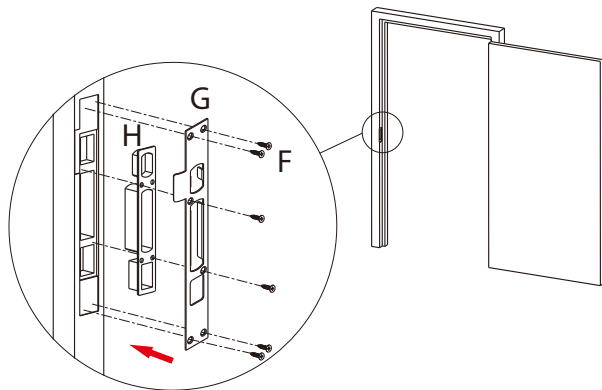
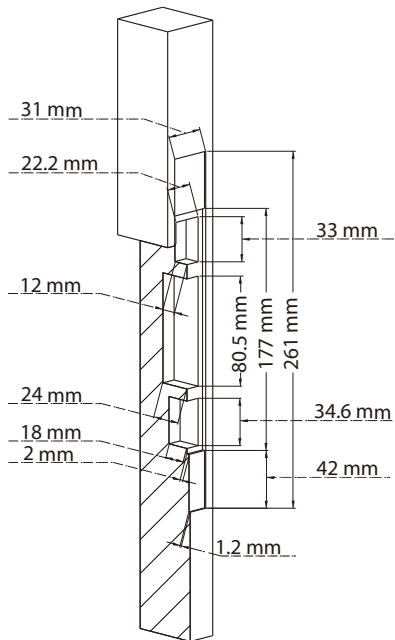


## 6. Install battery (O)

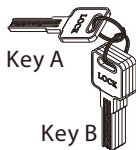
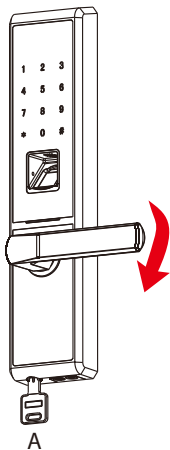




## 7. Mark and drill holes for strike



## 8. Test the lock by mechanical key(A) or registered fingerprint



### Mechanical Key Instruction:

1. Key A is coated with brass color, which is used only for lock installer and upfitter.
2. Key B is packed in the sealed plastic wrap for safety, which is used for house owner.
3. Once Key B is used, Key A will be disabled to open the lock.



